

RN1 & RN2
100 OHM
Networks

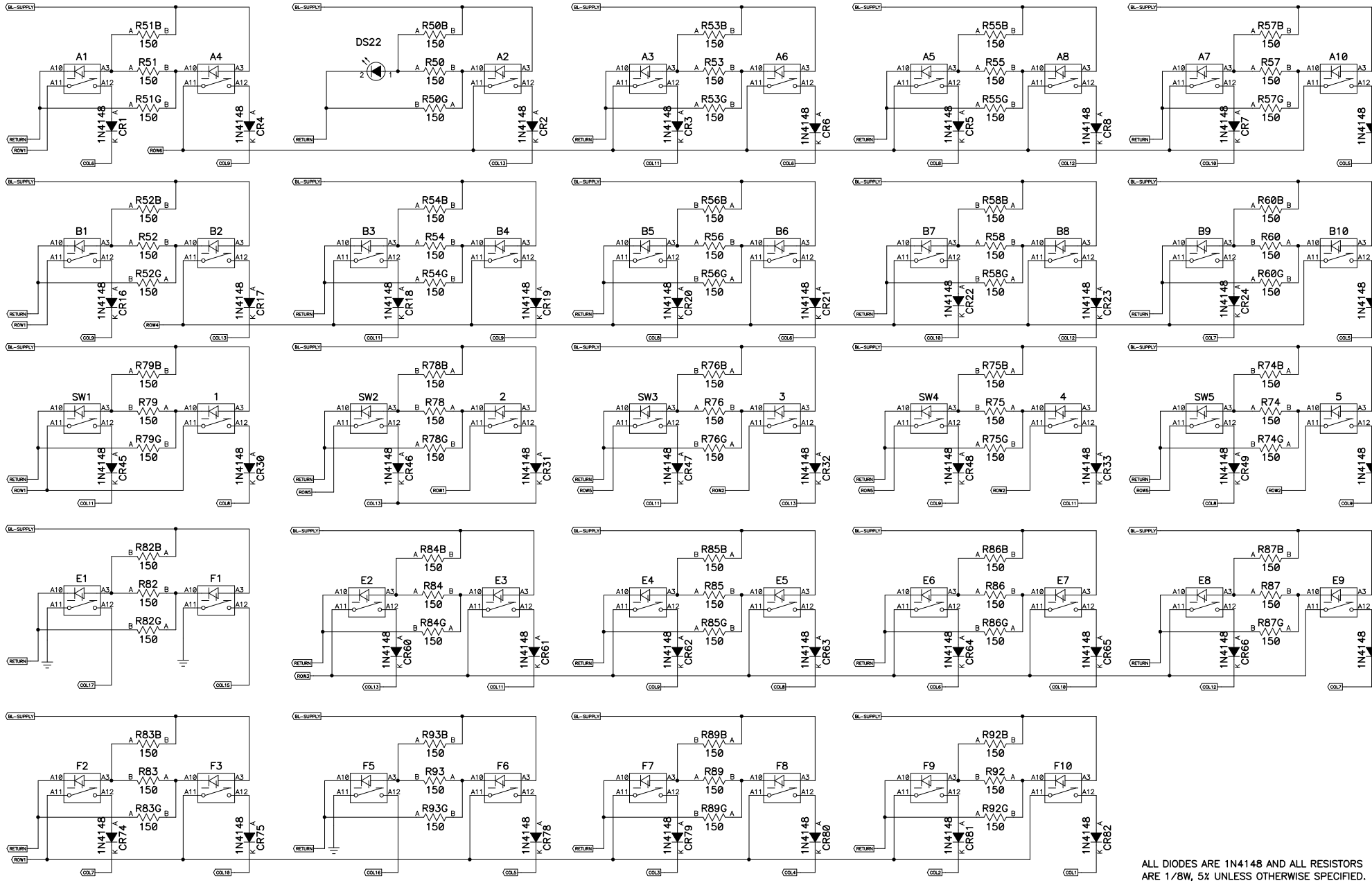
+5V
R80_5V N.I.
YEL, RED, GREEN & WHITE=39 OHM
R80_D BLUE=100

LEDS: GRN & WHT
= 0 OHM
RED, YEL, BLUE=
IN4148
D10

RED & BLUE LEDS
YELLOW LEDS
GREEN & WHITE LEDS

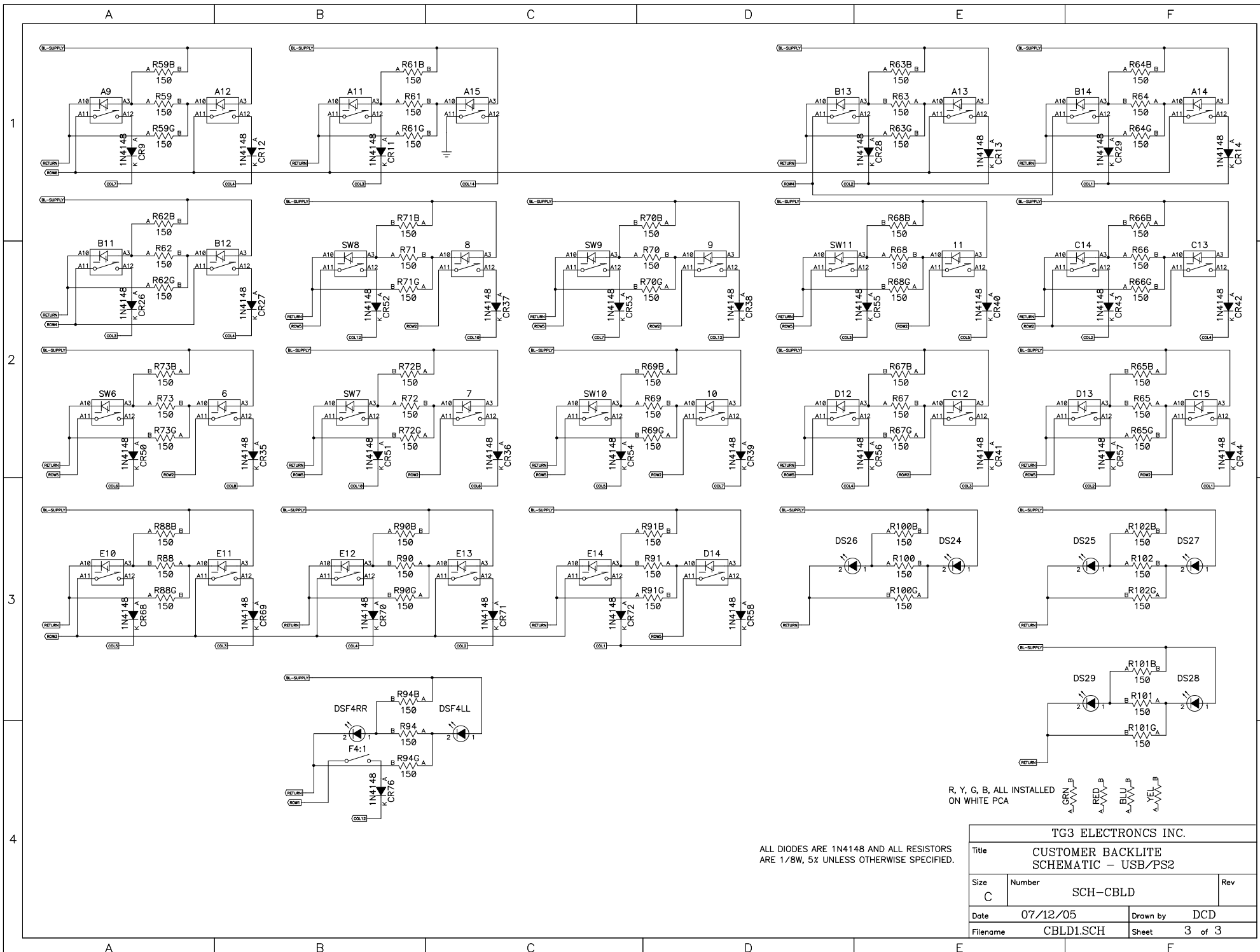
ALL DIODES ARE 1N4148 AND ALL RESISTORS ARE 1/8W, 5% UNLESS OTHERWISE SPECIFIED.

TG3 ELECTRONCS INC.		
Title CUSTOMER BACKLITE SCHEMATIC - USB/PS2		
Size B	Number SCH-CBLD	Rev
Date 07/12/05	Drawn by DCD	
Filename CBLD1.SCH	Sheet 1 of 3	



ALL DIODES ARE 1N4148 AND ALL RESISTORS ARE 1/8W, 5% UNLESS OTHERWISE SPECIFIED.

TG3 ELECTRONICS INC.			
Title CUSTOMER BACKLITE SCHEMATIC - USB/PS2			
Size C	Number SCH-CBLD	Rev	
Date 07/12/05	Drawn by DCD		
Filename CBLD1.SCH	Sheet 2 of 3		



R, Y, G, B, ALL INSTALLED ON WHITE PCA

ALL DIODES ARE 1N4148 AND ALL RESISTORS ARE 1/8W, 5% UNLESS OTHERWISE SPECIFIED.

TG3 ELECTRONCS INC.		
Title	CUSTOMER BACKLITE SCHEMATIC - USB/PS2	
Size	Number	Rev
C	SCH-CBLD	
Date	07/12/05	Drawn by DCD
Filename	CBLD1.SCH	Sheet 3 of 3